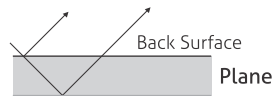


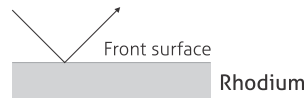


Box Of 12 Pieces



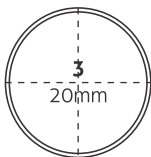
| Ref | Size | ø mm |
|------------------|------|------|
| 1113-13BX | N. 3 | 20 |
| 1113-14BX | N. 4 | 22 |
| 1113-15BX | N. 5 | 24 |

These Classic Mouth Mirror Have Reflective Coating On The Back Side Of The Mirror Glass.

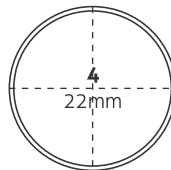


| Ref | Size | ø mm |
|------------------|------|------|
| 1113-23BX | N. 3 | 20 |
| 1113-24BX | N. 4 | 22 |
| 1113-25BX | N. 5 | 24 |

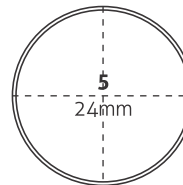
The Advantage Of Rhodium Plated Front Surface Is An Undistorted And Clear Image.



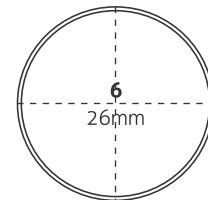
1113-13M
Plane N. 3



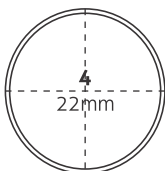
1113-14M
Plane N. 4



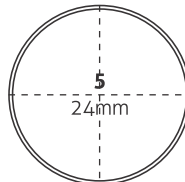
1113-15M
Plane N. 5



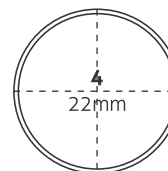
1113-16M
Plane N. 6



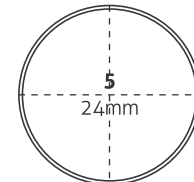
1113-24M
Rhodium N. 4



1113-25M
Rhodium N. 5



1113-34M
Magnifying High Power N. 4



1113-35M
Magnifying High Power N. 5



1113-44
Rhodium N. 4
Double-Sided



1113-45
Rhodium N. 5
Double-Sided

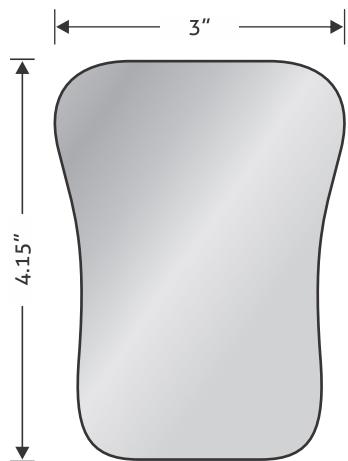


1113-47
Rhodium
Mirror

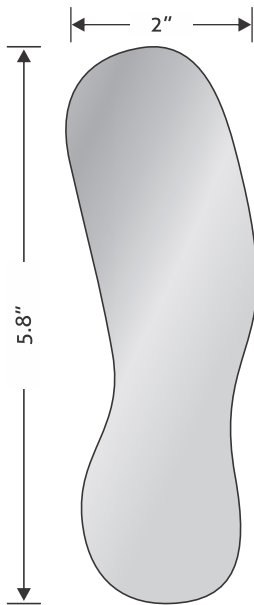


1113-13 N.3
1113-14 N.4
1113-15 N.5
Plane

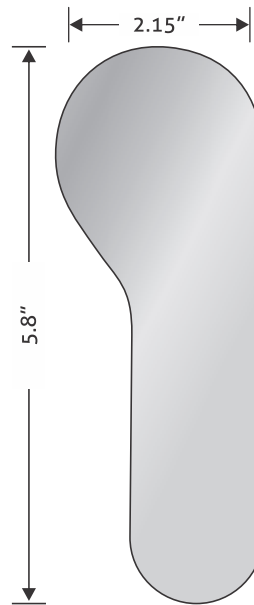
1113-23 N.3
1113-24 N.4
1113-25 N.5
Rhodium



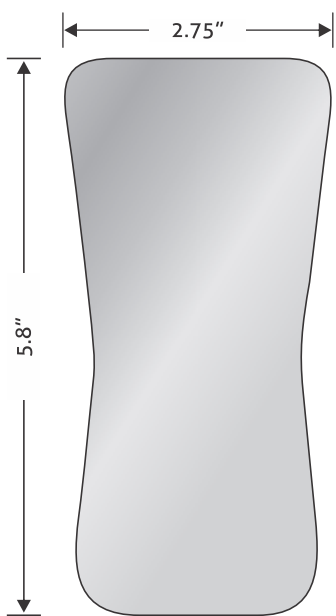
1113-50
Occlusal



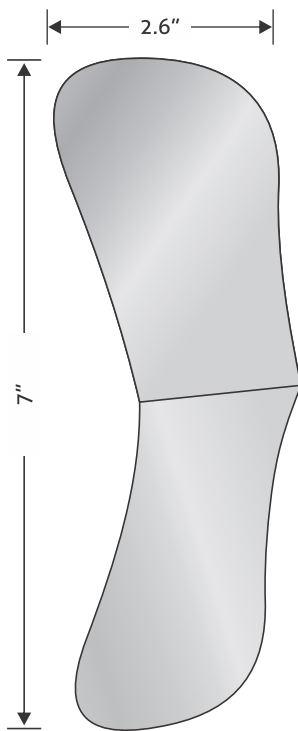
1113-52
Lingual



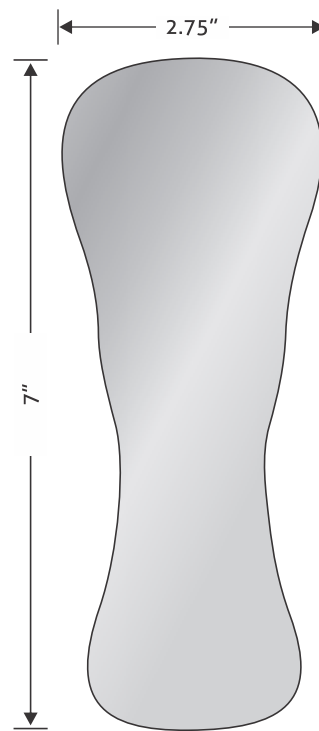
1113-54
Buccal



1113-56
Double End
Occlusal



1113-58
Multi-Purpose
Angled



1113-60
Multi-Purpose
Straight



1113-80
19.5cm



1113-82
19.5cm



1113-84
22.5cm



1113-86
22.5cm



1113-88
12.5cm



1113-90
10.5cm





1114-10
Perry
15cm



1114-11
Flagg
15cm



1114-12
Meriam
16cm



1114-13
Meriam
16cm



1114-12-D
Meriam
Diamond
Coated
16cm



1114-14
College
15cm



1114-15
College
15cm



1114-16
College
15cm



1114-17
College
with lock
15cm



1114-20
Diamond
Coated
17.5cm



1114-22
Diamond
Coated
17.5cm



1114-24
College
Light Pattern
15cm



1114-01KT
Examination Instruments Kit (3 Pieces)

Contents:-

- HM-14 Hollow Handle 12cm
- 1111-20 Explorer Double Ended # D5
- 1114-16 College Tweezer 15cm
- 1911-03-B 3 Instruments Cassette



1114-02KT
Examination Instruments Kit (3 Pieces)

Contents:-

- HM-40 Solid Handle with Mirror # 5
- 1111-20-H7 Explorer Double Ended # D5
- 1114-16 College Tweezer 15cm



Available Colors in Silicon Handle

1114-03KT
Examination Instruments Kit (3 Pieces)

Contents:-

- HM-15-DS Silicon Handle 12cm
- 1111-20-DS Explorer Double Ended # D5
- 1114-16 College Tweezer 15cm



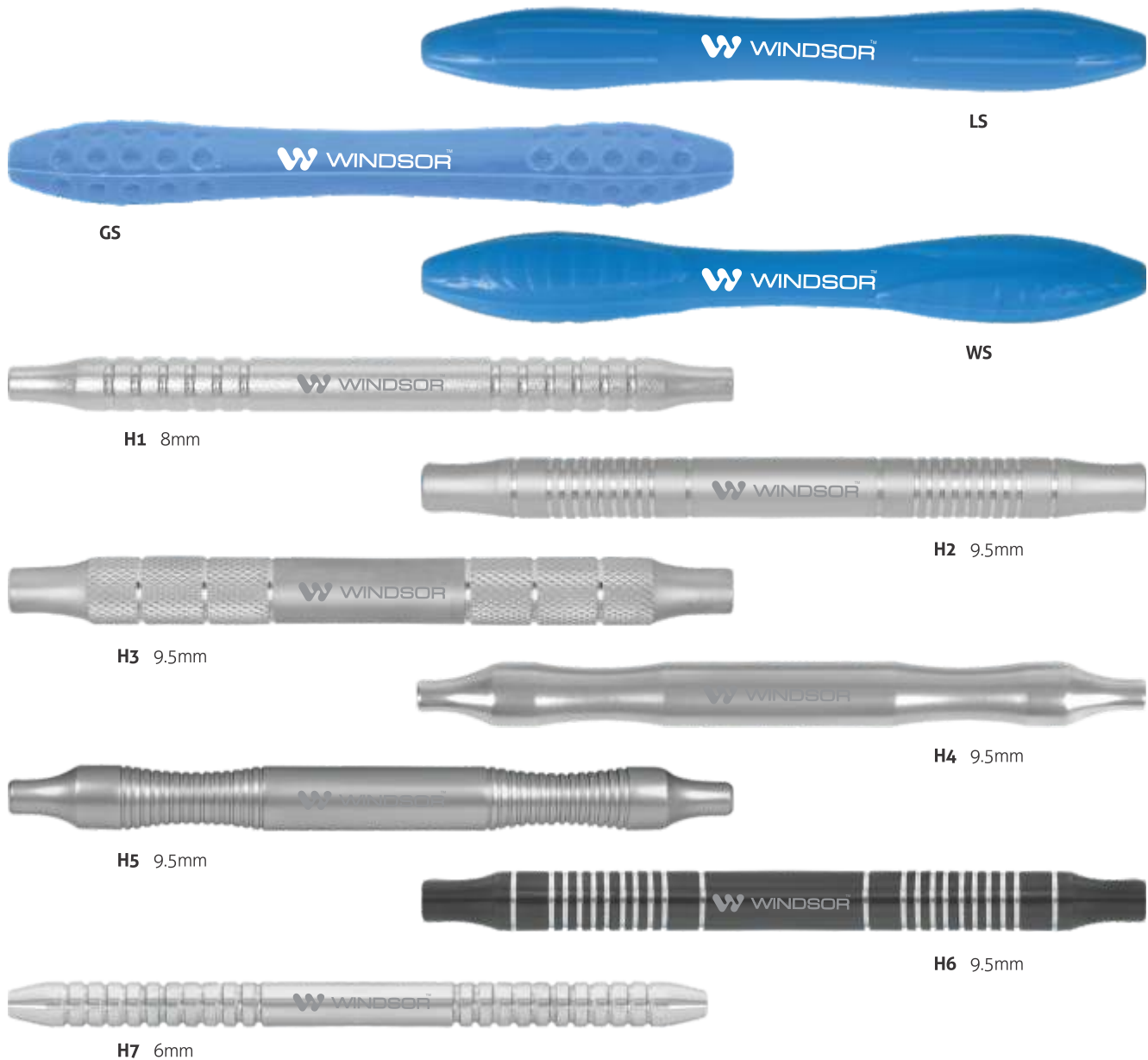
1114-04KT
Examination Instruments Kit (4 Pieces)

Contents:-

- HM-14 Hollow Handle with Mirror # 5
- 1111-20 Explorer Double Ended # D5
- 1211-14 Discoid Excavator 1.5mm
- 1114-16 College Tweezer 15cm

Light Weight, Well Balanced Handles Are Designed To Give Practitioner Comfortable and Non Slip Grip.

Double Ended



Single Ended



To Detect and Explore Caries, Abrasions, Calculus, Pocket Characteristics, Furcation and Restoration.

Explorers Single Ended



1111-10 # 3A



1111-11 # 8



1111-12 # 9



1111-13 # 23



1111-14 # Tu 17

Explorers Double Ended



1111-20 # D5



1111-21 # D3CH Kuhhorn



1111-22 # D11/12 Old Dominion University



1111-27 # 23/6



1111-24 # D9/TU17



Probes Single Ended

