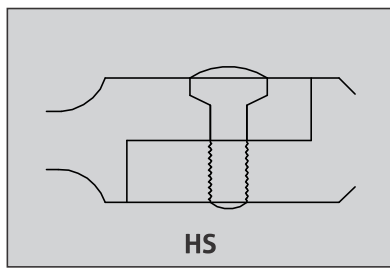
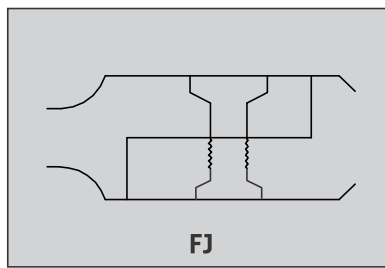


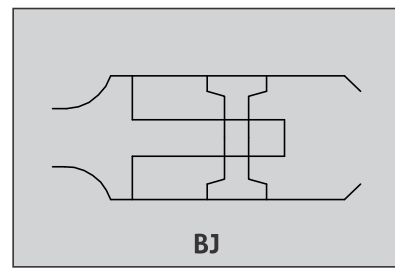
Joint Systems



HS
Two Pieces Joint With
Hex. Socket Head Screw

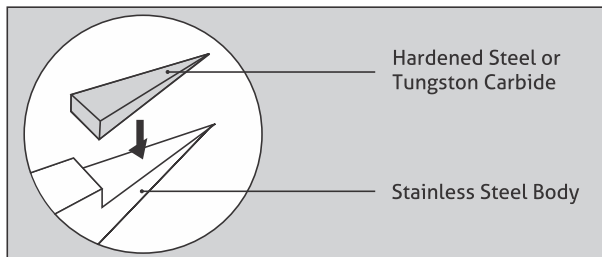


FJ
Two Pieces Joint (fixed Joint)



BJ
Three Pieces Joint (box Joint)

Inserted Products



- Non Inserted Products Are Shown Without This  Circled Illustration.

Materials

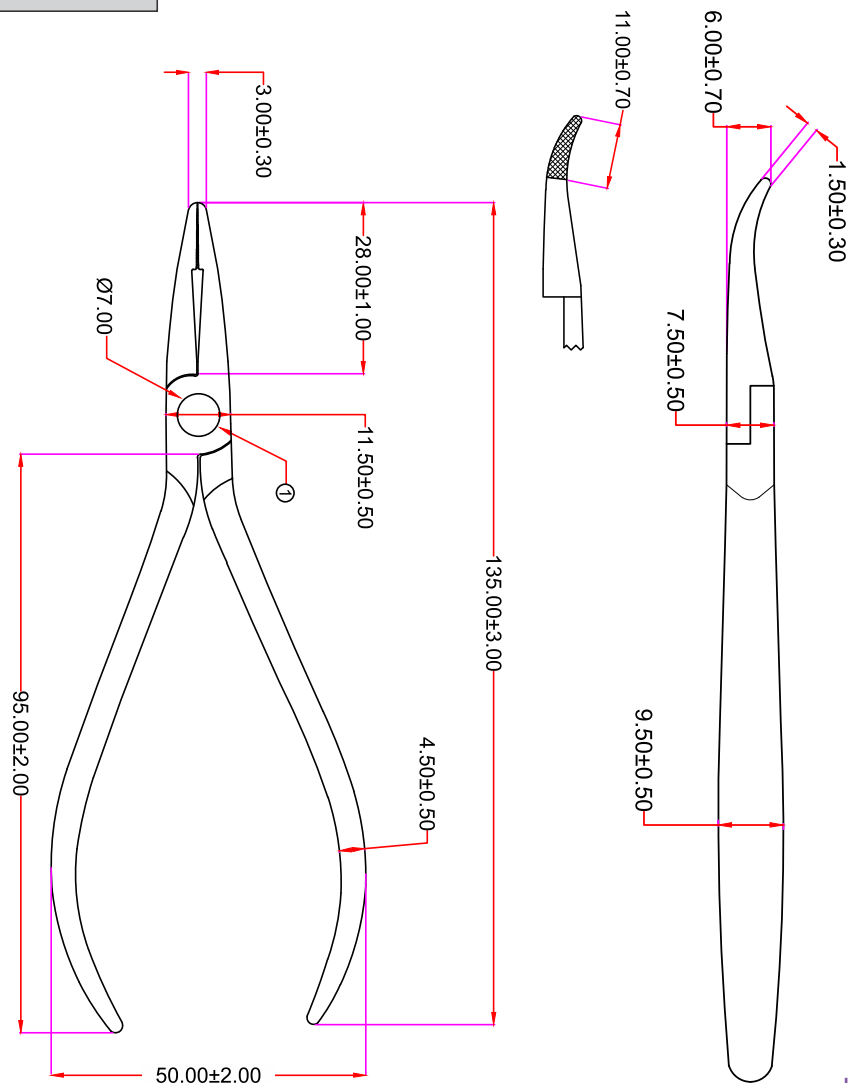
Only High Quality Medical Grade Stainless Steel Of Series 400 Is Used In The Construction Of Our Orthodontic Instruments. The Materials Like Tungsten Carbide Or Special Hardened Steel May Also Be Used In The Mouthparts Where Necessary Keeping In View The Intended Use Of Instrument.

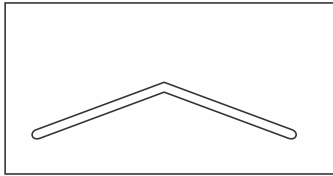
Assurance Of Consistent Quality

Technical Autocad Drawings Are Always Made Before Production Of Each Instrument With Minimal Possible Tolerances As Per Din Norms. Also, Go/no Go Gauges Are Made Through Cnc Machines Which Are Used Throughout Production Processes. This Ensures The Consistency In The Quality Of Our Instruments On Permanent Basis.

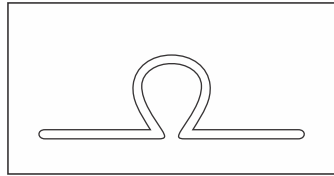
Other Features

- › Brilliant Smooth Satin Finish Reduces Light Reflection
- › No Sharp Edges. All Edges Are Precisely Rounded
- › No Corrosion At All
- › Each Model Available In Three Types Of Joint Systems
- › Laser Engraved With The Applicable Wire Minimums And Maximums
- › Customization: Capable To Make Customized Models

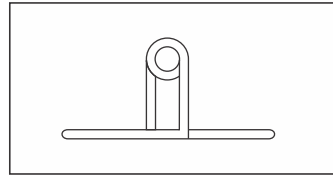




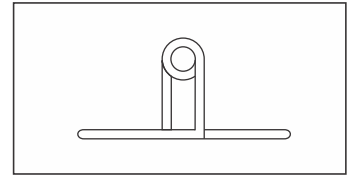
Three Jaw Pliers
1730-11



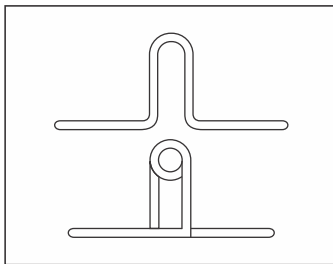
Omega Loop Forming Pliers
1744-13



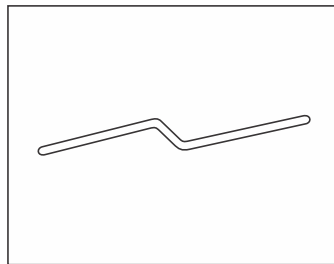
Bird Beak Pliers
1726-11



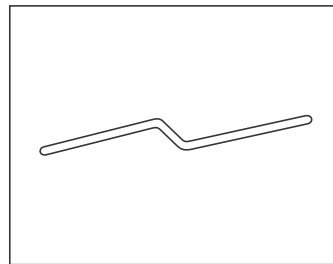
Light Wire Bird Beak Pliers
With and Without Groove
1729-11 & 1729-13



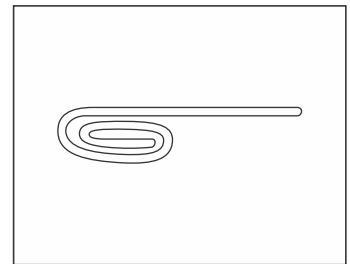
Tweed Loop Forming Pliers
1744-11



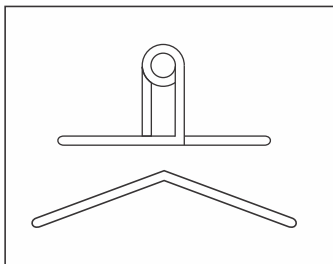
Tweed Arch Bending Pliers
1742-11



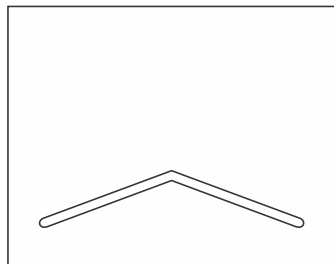
Rectangular Arch Bending Pliers
1741-18



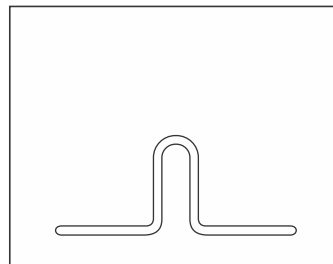
Lingual Arch Forming Pliers
1743-11



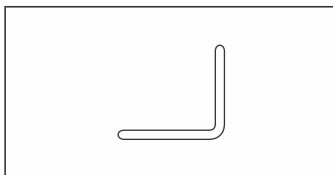
Young Loop Forming Pliers
1744-15



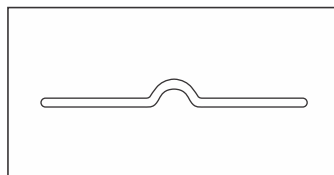
Three Jaw Pliers Aderer
1731-11



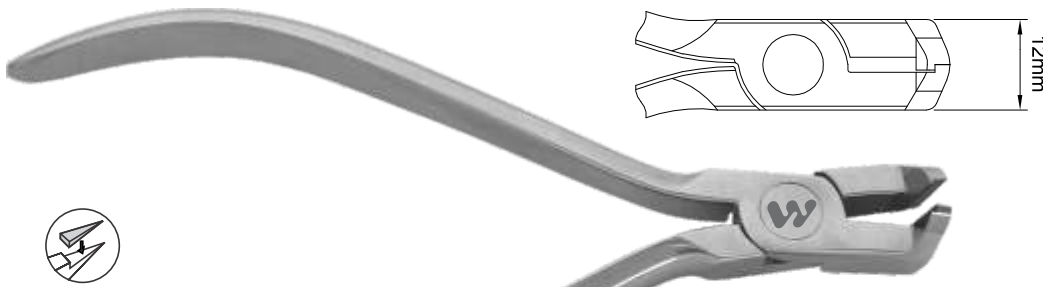
Nance Loop Forming Pliers
1735-11



Adams Pliers
1727-18 & 1727-20



V-Stop Pliers
1734-18



1710-18

Distal End Cutter, Safety Hold
12cm

The Universal Standard Size Model Cuts Hardwire And Then Safety Holds The Loose Distal End To Prevent Wire From Going Into Tissue.

- Rectangular Wires Up To .022"x .028" (.55mm x .71mm)
- Round Wires Up To .020" (.50mm)
- ⋯ Braided Wires Up To .016" (.40mm)



1710-20

Mini Head Distal End Cutter, Safety Hold
12cm

Compact Model For Easier Access.

Designed To Cut Hardwire and Then Safety Holds The Loose Distal End To Prevent Wire From Going Into Tissue.

- Rectangular Wires Up To .022"x .028" (.55mm x .71mm)
- Round Wires Up To .020" (.50mm)
- ⋯ Braided Wires Up To .016" (.40mm)



1710-22

Mini Head Distal End Cutter Flush Cut, Safety Hold
13.5cm

Assures Arch Wire is Cut Flush With The End Of Buccal Tube. Safety Hold Design is Ideal For Securely Holding and Catching The Distal Ends. A Perfect Model For Intraoral Cutting And Lip Safety.

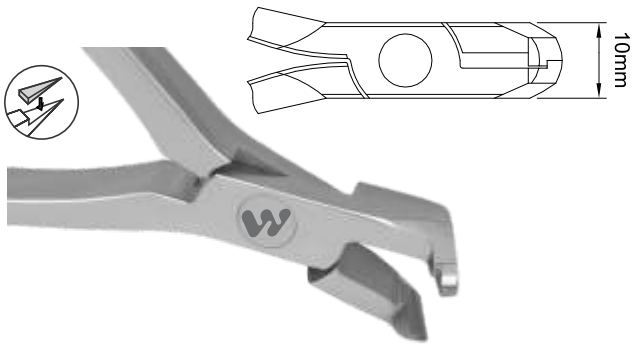
- Rectangular Wires Up To or .018" X .022" (.45mm x .55mm)
- Round Wires Up To .020" (.50mm)



Using Flush Cut Distal End



Using Non Flush Cut Distal End



1710-24

Mini Head Distal End Cutter, Safety Hold With Long Handle
14cm

The Standard Cutter But With Long Handle Design Allows Better Control Behind Second Molars Also Results In Less Force To Cut

- Rectangular Wires Up To .022"x .028" (.55mm X .71mm)
- Round Wires Up To .020" (.50mm)
- ⚙ Braided Wires Up To .016" (.40mm)



1710-26

Mini Head Distal End Cutter, Safety Hold With Long Handle
14cm

The Standard Cutter But With Long Handle Design Allows Better Control Behind Second Molars Also Results In Less Force To Cut

- Rectangular Wires Up To .022"x .028" (.55mm x .71mm)
- Round Wires Up To .020" (.50mm)
- ⚙ Braided Wires Up To .016" (.40mm)



1710-26BK

Mini Head Distal End Cutter Black, Safety Hold With Long Handle
14cm

The Standard Cutter But With Long Handle Design Allows Better Control Behind Second Molars Also Results In Less Force To Cut

- Rectangular Wires Up To .022"x .028" (.55mm x .71mm)
- Round Wires Up To .020" (.50mm)
- ⚙ Braided Wires Up To .016" (.40mm)



1747-13

NiTi Distal Cinch Back Plier

Multi-use Plier To Be Used For Various Types Of Bending Including Bending Niti In A Cinch. Two Ends Fit Together Like A Tongue And Groove Around The Niti Wire, So That The Ends Of The Wire Attain The Required Bend With One Squeeze Plier. Niti Wires Up To .025" (.64mm)



1747-15

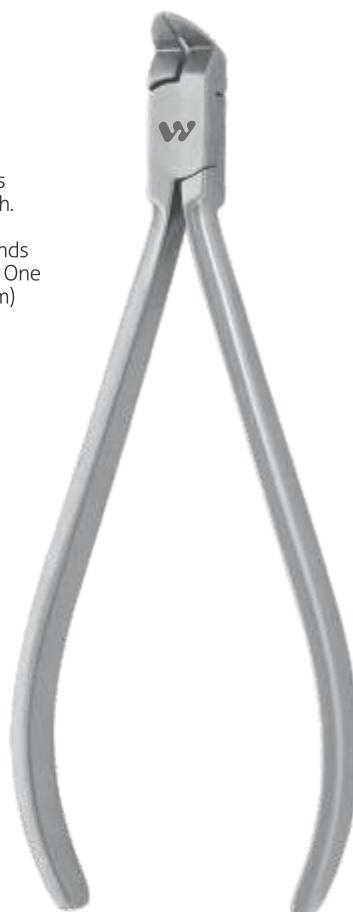
NiTi Distal Cinch Back Plier

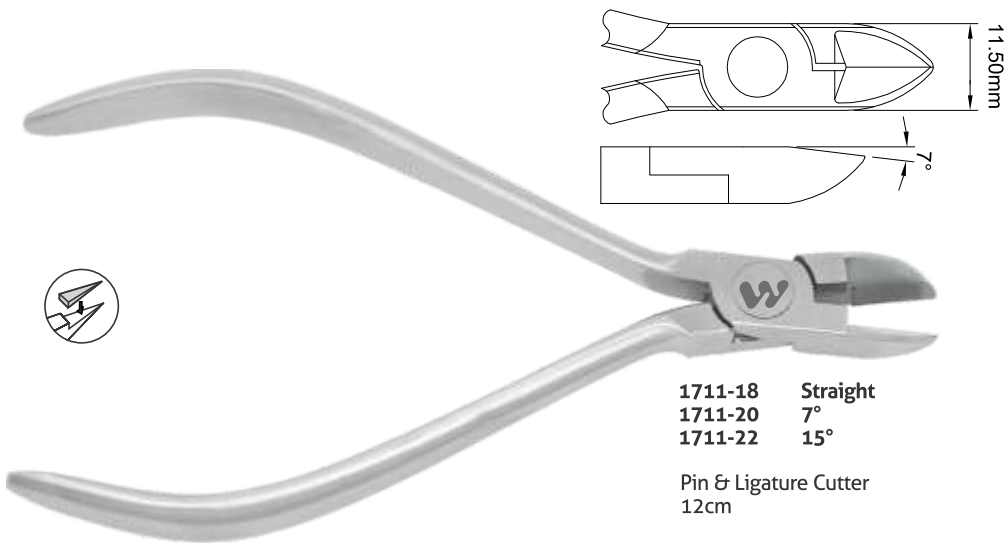
Multi-use Plier To Be Used For Various Types Of Bending Including Bending Niti In A Cinch. Two Ends Fit Together Like A Tongue And Groove Around The Niti Wire, So That The Ends Of The Wire Attain The Required Bend With One Squeeze Plier. Niti Wires Up To .025" (.64mm)

1747-17

NiTi Distal Cinch Back Plier Angled

This Plier Is Made With The Optimum Angle For Working Behind The Buccal Tube. Serrated Tips Are Tapered To A Fine Point Allowing Access To Hard-to-reach Areas Box Joint. .014" - .020" (0.35mm - 0.50mm) Round .022" x .025" (0.55mm x 0.64mm) Rectangle

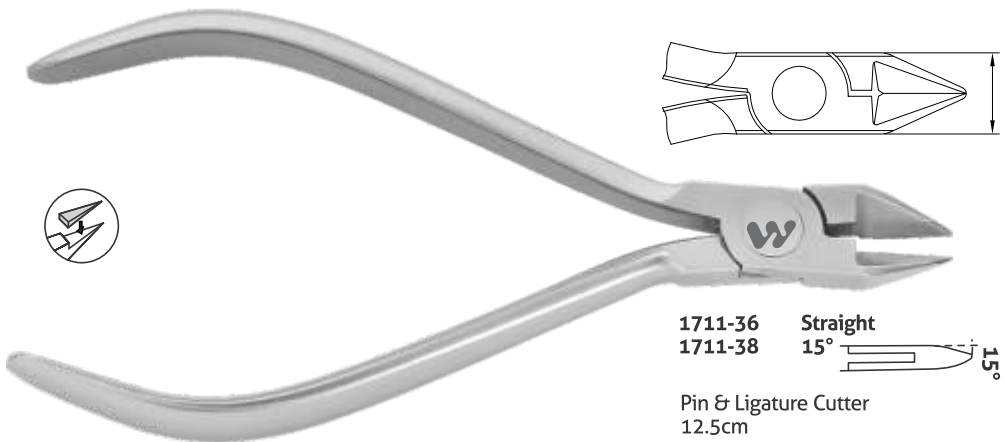




- 1711-18** **Straight**
- 1711-20** **7°**
- 1711-22** **15°**

Pin & Ligature Cutter
12cm

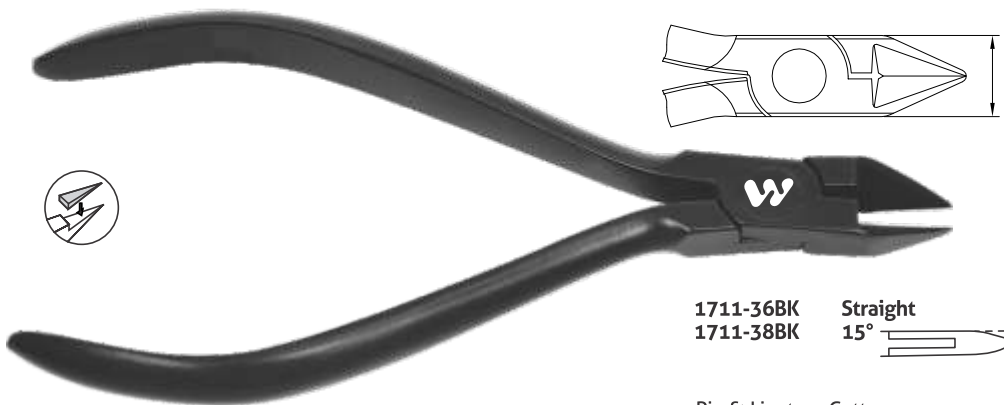
Designed To Cut Soft Wires, Elastic Ligatures and Pins Up To .016" (.40mm). These Cutters Are Available In Straight or Angled, Most Commonly With A 7° or 15° Angle, Tapered For Difficult To Reach Areas.



- 1711-36** **Straight**
- 1711-38** **15°**

Pin & Ligature Cutter
12.5cm

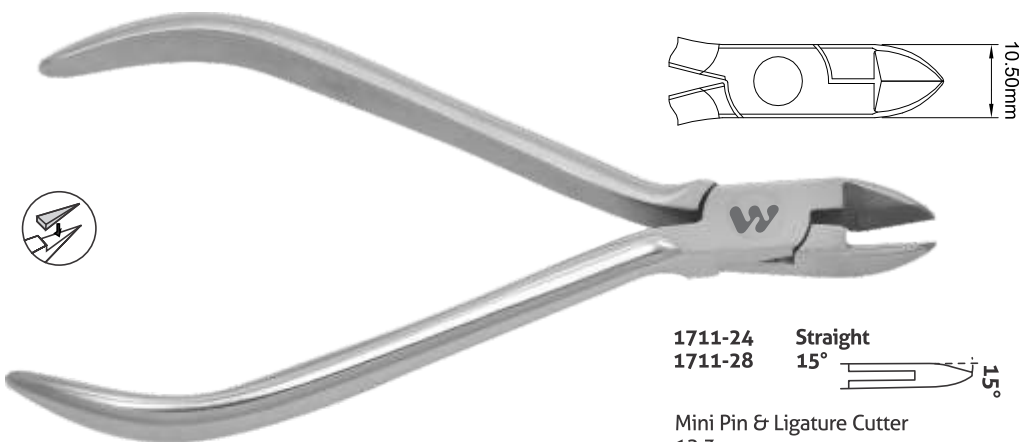
Designed To Cut Soft Wire Pins and Ligature Wires Up To .012" (.30mm). The Slim Profile Is A Plus In Difficult To Access Areas. Cutting Edge Length 0.50" (12.67mm).



- 1711-36BK** **Straight**
- 1711-38BK** **15°**

Pin & Ligature Cutter
12.5cm

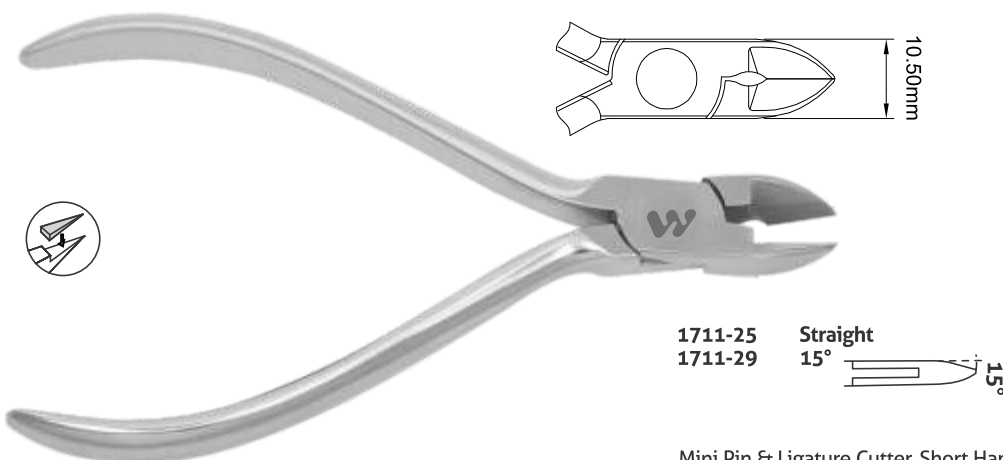
Designed To Cut Soft Wire Pins And Ligature Wires Up To .012" (.30mm). The Slim Profile Is A Plus In Difficult To Access Areas. Cutting Edge Length 0.50" (12.67mm).



1711-24 Straight
1711-28 15°

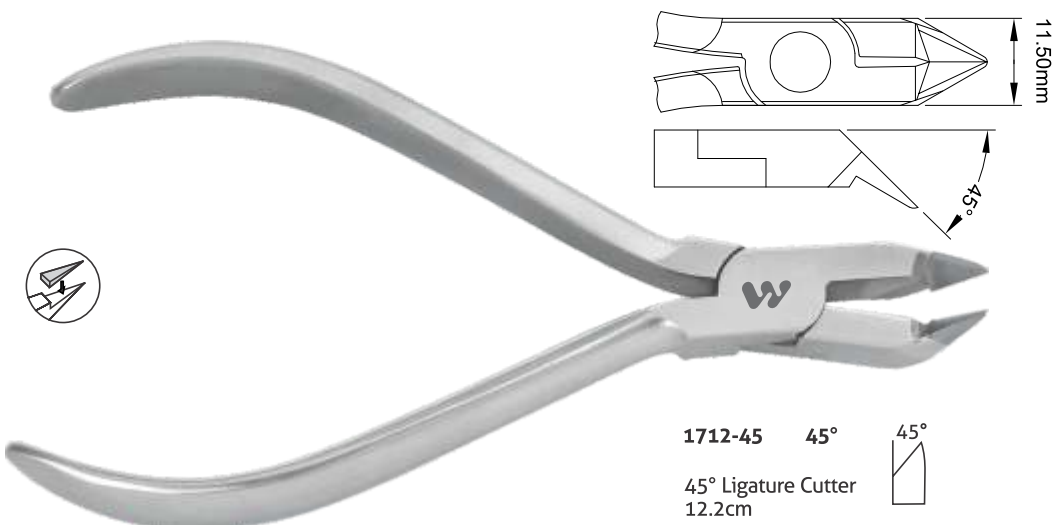
Mini Pin & Ligature Cutter
12.3cm

Fine Tips Are Designed To Easily Access Hard To Reach Areas.
Designed To Cut Soft Wires, Elastic Ligatures And Pins Up To .016" (.40mm)
These Cutters Are Available In Straight Or Angled, Most Commonly With A
7° Or 15° Angle, Tapered For Difficult To Reach Areas.



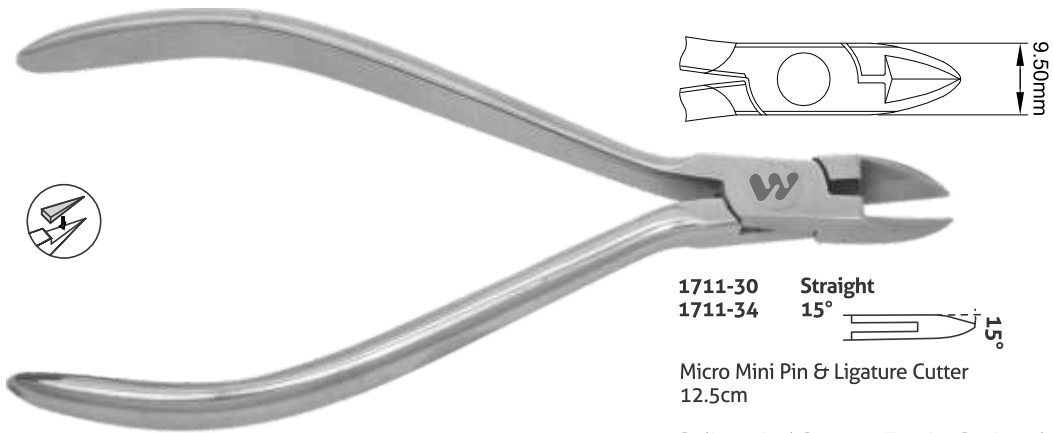
1711-25 Straight
1711-29 15°

Mini Pin & Ligature Cutter, Short Handle
11cm

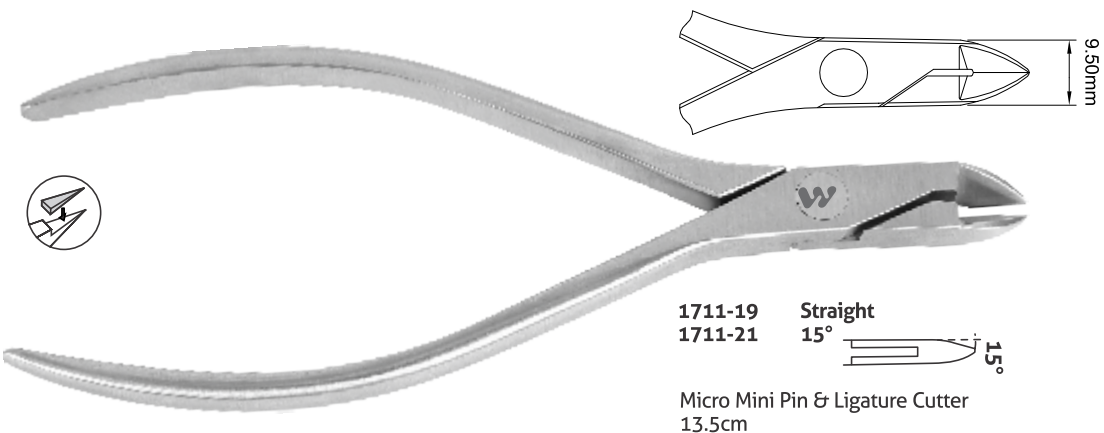


1712-45 45°
45° Ligature Cutter
12.2cm

Designed to cut soft wires up to .015" (.38mm)



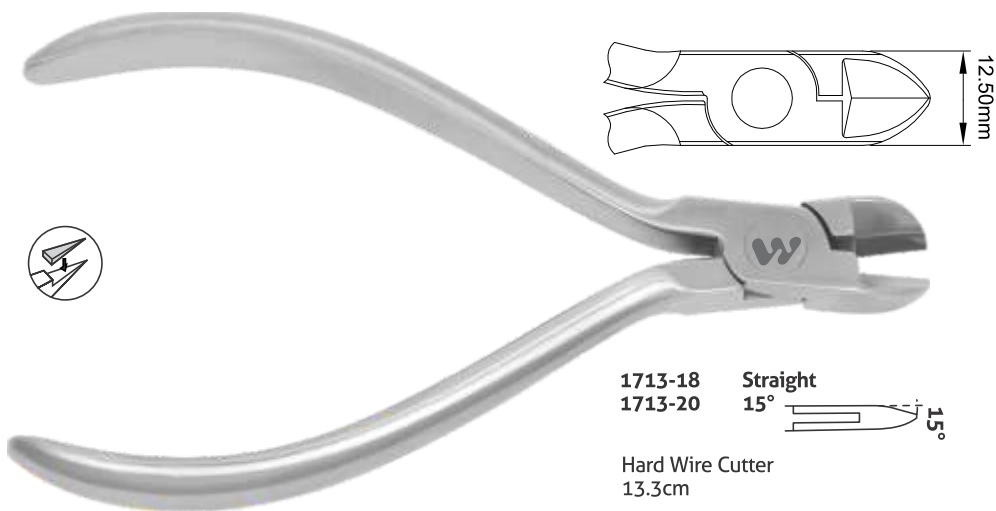
Delicate And Compact Tips Are Designed For Easier Access To Difficult Areas And Tight Inter Bracket Areas.
Designed To Cut Soft Wires, Elastic Ligatures And Pins Up To .012" (.30mm)
These Cutters Are Available In Straight Or Angled, Most Commonly With A 7° Or 15° Angle, Tapered For Difficult To Reach Areas.



Delicate And Compact Tips Are Designed For Easier Access To Difficult Areas And Tight Inter Bracket Areas.
Designed To Cut Soft Wires, Elastic Ligatures And Pins Up To .012" (.30mm)
These Cutters Are Available In Straight Or Angled, Most Commonly With A 7° Or 15° Angle, Tapered For Difficult To Reach Areas.



Delicate And Compact Tips Are Designed For Easier Access To Difficult Areas And Tight Inter Bracket Areas.
Designed To Cut Soft Wires, Elastic Ligatures And Pins Up To .012" (.30mm)
These Cutters Are Available In Straight Or Angled, Most Commonly With A 7° Or 15° Angle, Tapered For Difficult To Reach Areas.



1713-18 Straight
1713-20 15°

Hard Wire Cutter
13.3cm

The Standard Size Cutter Is Designed To Cut All Sizes And Types Of Arch Wires.
Available In Straight and 15° Angle To Give Better Access

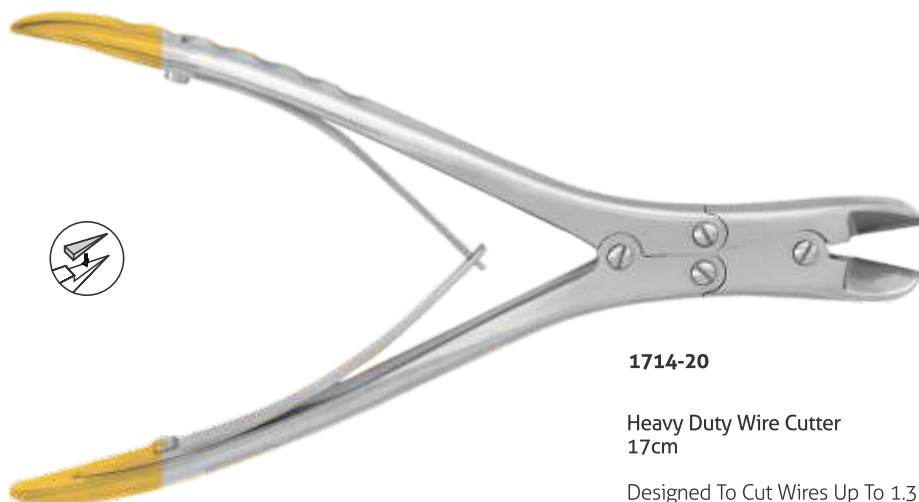
- Rectangular Wires Up To .022" To .028"
- Round Wires Up To .020"



1714-18

Heavy Duty Wire Cutter
13.5cm

Designed To Cut Wires Up To 1.3mm Arch Wires.



1714-20

Heavy Duty Wire Cutter
17cm

Designed To Cut Wires Up To 1.3mm Arch Wires.



1715-11 **2.4mm**
1715-13 **3.2mm**

How Plier Straight

How Plier Is Multi Functional Useful Tool. Tips Are Designed For Superior Arch Wire Gripping. The Mouthpart Is Fitted With Serrated Tungsten Carbide Tips For A Firm And Secure Gripping. The Tips Are Gently Rounded And Bowed To Ensure Lips And Tissues Safety.



1715-15 **2.4mm**
1715-17 **3.2mm**

How Plier, Angled

45° Angled Tips For Convenient Access To Lingual And Others Difficult Posteriors Areas. Ø Max 0.7mm / .028" (140mm)



1715-21 **2.4mm**
1715-23 **3.2mm**

How Plier, Curved

How Plier Is Multi Functional Useful Tool. Tips Are Designed For Superior Arch Wire Gripping. The Mouthpart Is Fitted With Serrated Tungsten Carbide Tips For A Firm And Secure Gripping. The Tips Are Gently Rounded And Bowed To Ensure Lips And Tissues Safety.



1716-18

Weingart Plier

A General Utility Plier Designed With Tungsten Carbide Serrated Tips To Provide Maximum Wire Control And Gripping. Precisely Tapered And Gently Rounded Beaks Fits Easily Into Hard To Reach Areas With Safety And Comfort. Square And Rectangular Wires Up To .022" X .028" (.56 X .71 mm).



1716-20

Weingart Plier Long

A General Utility Plier Designed With Tungsten Carbide Serrated Tips To Provide Maximum Wire Control And Gripping. Precisely Tapered And Gently Rounded Beaks Fits Easily Into Hard To Reach Areas With Safety And Comfort. Square And Rectangular Wires Up To .022" X .028" (.56 X .71 mm).



1716-22

Weingart Plier, Slim Model

This Compact And Slim Model With Tungsten Carbide Serrated Tips To Provide Maximum Wire Control and Gripping. Precisely Tapered (20°) And Gently Rounded Beaks Offer More Access To Hard To Reach Areas And Stronger Gripping And Control.



1717-11

Band Crimping Plier

This Plier Is Designed To Crimp The Gingival Margin Of Stainless Steel And Temporary Crown. Thin Tips Allow For Easy Access Into Molar And Premolar Bands.



1718-18

Johnson Crown & Band Contouring Plier

Ideal For Reshaping Molar Bands And Crowns.



1719-18

Posterior Band Removing Plier Short

This Instrument Is Designed With Longer Band Removing Arm To Safely And Quickly Remove Posterior Bands With Patient Comfort. The Teflon Pad Of 5mm (3/16") Rests On The Occlusal Surface Of The Molar Due To Which The Pointed Tip Is Placed In Perfect Position To Catch The Edge Of The Band For An Easy And Gentle Removal.



1719-22

Posterior Band Removing Plier

This Instrument Is Designed To Safely And Quickly Remove Posterior Bands With Patient Comfort. The Teflon Pad Of 5mm (3/16") Rests On The Occlusal Surface Of The Molar Due To Which The Pointed Tip Is Placed In Perfect Position To Catch The Edge Of The Band For An Easy And Gentle Removal.



1719-16

Posterior Band Removing Plier

This Instrument Is Designed With Longer Band Removing Arm To Safely And Quickly Remove Posterior Bands With Patient Comfort. The Teflon Pad Of 5mm (3/16") Rests On The Occlusal Surface Of The Molar Due To Which The Pointed Tip Is Placed In Perfect Position To Catch The Edge Of The Band For An Easy And Gentle Removal.



1720-18

Adhesive Removing Pliers

Designed With A Reversible, Replaceable Blade That Is Used To Remove The Bulk Of Composite Material After Debonding Brackets And Attachments. These Pliers Come With A 3/16" (4.76 Mm) Pad Already Loaded In The Working End And An Extra 1/4" (6.35 Mm) Pad For Trial Purposes. Replacement Pads Can Be Re-ordered As Needed.



1721-18

Bracket Removing Plier

Designed For Effective Anterior And Posterior Removal Of All Bracket Types – Stainless Steel, Ceramic, And Plastic Brackets.



1722-18

Direct Bond Bracket Remover Angled

Designed To Quickly And Safely Remove All Bonded Attachments. The 60° Angled Tip Allows For Easy Access To Difficult Anterior And Posterior Areas.



1724-18

Bracket Removing Plier

Designed For Effective Anterior and Posterior Removal Of All Bracket Types – Stainless Steel, Ceramic, and Plastic Brackets.



1751-11

Bracket Removing Plier With Replacement Hooks

Designed For Effective Anterior and Posterior Removal Of All Bracket Types – Stainless Steel, Ceramic, and Plastic Brackets.



1725-11

Debonding Plier

The Plier Is Designed For A Closed Profile To Be Formed Around The Bar And Then Removed By Releasing The Magnetic Clasp, Pivoting The Bar Outward And Easily Sliding.



1728-11

Jarabak Plier

Designed To Be A Versatile Light Wire Bending Plier With Grooves That Assist With Precise Bending And Closing Of Loops. The Serrated Surface Grips Wires Up To .020" (.51 Mm).



1726-11

Bird Beak Plier

The Most Popular And Versatile Plier With Round And Pyramid Shaped Tapered Beaks Designed For All Types Of Wire Bending Up To .030" (0.76 Mm).



1726-12

Bird Beak Plier Heavy Duty

The Most Popular And Versatile Plier With Round And Pyramid Shaped Tapered Beaks Designed For All Types Of Wire Bending Up To .030" (0.76 Mm).



1726-13

Light Wire Bird Beak Plier

A Longer Cone Than A Standard Bird Beak Is Useful For Forming Precise Loops In Light Wire. Wire Size: <= .020" (.51 Mm)



1726-18

Bird Beak Plier With Cutter

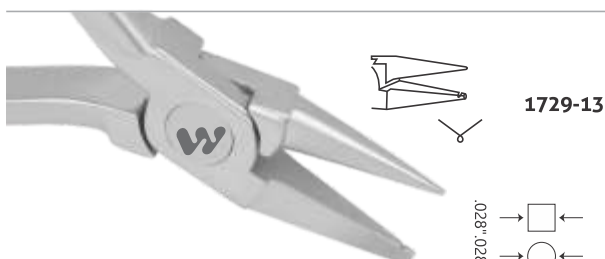
Designed For Smooth Bending Surfaces For A Range Of Loop Sizes While Providing A Sharp Blade For Cutting. Cuts Up To .021" X .025" (.53 Mm X .64 Mm).



1729-11

Light Wire Plier

A Longer Cone Than A Standard Bird Beak Is Useful For Forming Precise Loops In Light Wires Up To .020" (.51 Mm).



1729-13

Light Wire Plier With Groove

A Longer Cone Than A Standard Bird Beak Is Useful For Forming Precise Loops In Light Wire. The Groove Allows For Locating And Duplicating Loops. Wires Up To .020" (.51 Mm).



1729-15

2 Round Beaks Long Plier

Ø max 0.5 mm / .020" (140 mm)



1729-20

Optical Plier

Ø max 0.7 mm / .028" (135 mm)

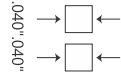
Ø 1.2 mm



1727-18

Adams Plier

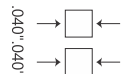
Ideal For Placing All Types Of Attachments, Adjustment Of Orthodontic Appliances And Bending Wires Up To .040" (1.0 mm).



1727-20

Adams Plier Heavy Duty
Serrated Tip

Ideal For Placing All Types Of Attachments, Adjustment Of Orthodontic Appliances And Bending Wires Up To .040" (1.0 mm).



1730-11

Three Jaw Plier

Useful For Contouring And Bending Wires
Up To .030" (.76 mm)



1731-11

Three Jaw Plier Aderer

Designed For The Forming And Contouring Of All Arch Wires,
Especially For Nickel Titanium Wires Up To .020" (.51 mm).





1732-18 Narrow
1732-20 Wide

Z Bend Plier

Designed To Put A Z Bend Root Tip Back Bend (with One Easy Squeeze) In The Archwire Without Removing The Archwire.



1733-18 0.25mm
1733-20 0.50mm
1733-22 0.75mm
1733-24 1mm

Detailing Step Plier

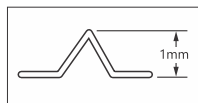
Step Pliers Allow Clinicians To Easily Create Z-bends (bayonet Bends) In One, Simple Step By Using A Gentle Squeeze Of The Plier Handles. Can Be Used Intra-orally Without Removing Archwire.



1734-18

Stop (V-Bend) Plier

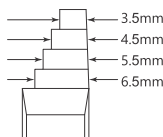
Places A V-bend In Archwires, Including Nickel Titanium, To Prevent The Archwire From Traveling. Wires Up To .021" x .025" (.53 mm x .64 mm).



1735-11

Nance Loop Forming Plier

For Precise Forming Of Loops In Four Lengths: 3, 4, 5 And 6mm. Groove At Base Helps In Closing Loops. Beaks Are Parallel At .020" Opening. Wires Size Up To .022" (.53mm).



1736-11

Clasp Bending Loop Closing Forming Plier

This Plier Is Designed For A Closed Profile To Be Formed Around The Bar And Then Removed By Releasing The Magnetic Clasp, Pivoting The Bar Outward, And Easily Sliding.



1737-11

De-la Rosa Plier

It Is Designed With Precisely Matched Concave And Convex Tips For Smooth Contouring Of Light Wire Loops. Contours And Forms Arches Without Torquing With Additional Grooves Measuring .016" (.41mm), .018" (.46mm) And .022" (.56mm) Respectively



1738-11

Hollow Chop Contouring Plier

Perfect For Subtle Contouring Of Arch Wires Up To .030" (.76 mm).



1739-11

Arch Forming Plier with Grooves

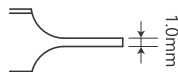
Grooves are of .016", .018", .020" (.040mm, .045mm, .050mm)



1753-15

Reynold Plier

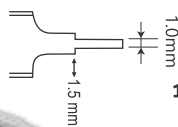
Use To Contour And Shape Crowns And Bands. Can Also Be Used To Make Mine And Suitament In Patiaed And Retainers Ø Max 0.7mm (0.28")



1741-18

Rectangular Arch Forming Plier

Designed For Placing First, Second, And Third Order Bends Up To .070" (1.78 Mm) Blade Width And On Wires Up To .021" X .025" (.53 Mm X .64 Mm). Beaks Are .060" Wide, Parallel At .20" Opening.



1742-11

Tweed Arch Forming Plier (double Step)

Designed For Placing First, Second And Third Order Bends, .070" Blade Width. Wire Size: < = .022" X .025" (.53 mm X .64 mm)



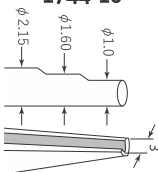
1743-11

Lingual Arch Forming Plier

Designed To Create Double Back And Triple Back Bends In .030" And .036" Lingual Arch Wires. Wire Size: < = .036" (.91 mm)



1744-10

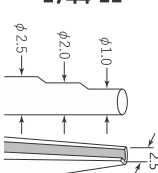


O'brien Loop Forming Plier

Designed For Making Bull And Helical Closing Loops In Square Or Rectangular Wire. Tips Are Designed To Hold Wire Firmly Up To .022" x .028."



1744-11

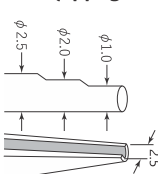


Tweed Loop Forming Plier

Designed For Making Bull And Helical Closing Loops In Square Or Rectangular Wire. Tips Are Designed To Hold Wire Firmly Up To .022" x .028."



1744-13

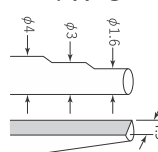


Omega Loop Forming Plier

Concave Beak Is Contoured For Making More Uniform Omega Loops With Ease. Three Sections Of .045", .060", And .075" Diameter And .090" Length.



1744-15

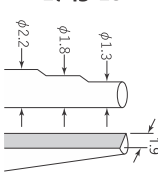


Young Loop Forming Plier

Bend Retainer Wire, Adjust Inner Bow With Three Steps. (1.4mm, 3mm, 4mm In Diameter)



1745-18



Kim Plier

This Is A Dual Purpose Tool Which Can Be Used For Cutting And Bending The Wires Up To .016"x.022" (.040 mm x .055 mm).



1746-18

Ligature Forming Plier

This Is Specially Designed Time-saving Plier To Preform Ligature Wires To A Consistent 6mm Height. Forming Beak Has A Tungsten Carbide Insert For Strength and Durability.



1752-30

Occultist Plier

Round And Concave Beaks Are Hardened With Stainless Steel And Have An Extra Smooth Finish. Bends Round Or Rectangular Wire With A Firm Grip That Will Not Nick Wire. Bends Wire Up To .020. The Larger Angled Head And Deeper Serrations Allow For Firm Grip During Use.



1748-11

Hook Crimping Plier

Designed For Placement And Securing Of Crimpable Arch Wire Hooks And Power Hooks.



1749-11

Universal Plier

This Plier Can Be Used For Dental, Orthodontics & Prosthetic. It Can Be Perform Various Functions Including Bending Soft & Hard Wires As Well As Holding Braces.



1749-13

Universal Plier

This Plier Can Be Used For Dental, Orthodontics & Prosthetic. It Can Be Perform Various Functions Including Bending Soft & Hard Wires As Well As Holding Braces.



1750-11 Wide
1750-13 Narrow

Torquing Plier With Key

Maximum Bending Capacity:
Wires Up To .020"



1748-15

Tube Crimping Plier

Designed To Create Double Back And Triple Back Bends In .030" And .036" Lingual Arch Wires. Wire Size: <= .036" (.91 mm)



Torquing Pliers Female Used To Place A Torque To Square/rectangular Archwire



1750-20M
Torquing
Plier Male



1750-20F
Torquing
Plier Female



1755-10
Tear Drop



1755-11
Vertical



1755-12
Horizontal



1755-13 6mm
1755-14 4.5mm
Hole Punch



1755-20
Spot Dimple,
Round



1755-22
Retention Dimple
Plier



1755-24
Circular Plier



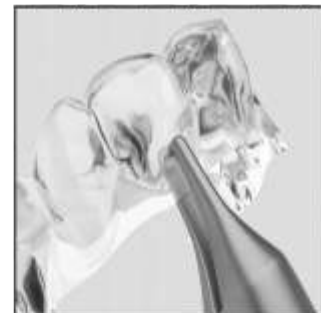
1755-26
Retention Plier



1755-28
Undercut Plier



1755-30
Dimple Erasing Plier





Replacement Teflon Pads



1760-10
4 Pads Per Pack 1/4" (6.35mm)

Replacement Tips



1760-11
4 Tips Per Pack

Replacement Teflon Pads



1760-12
4 pads per pack 3/16" (4.76mm)

Replacement Tips



1760-13
2 Sets Per Pack

Replacement Tip Screw



1760-14
4 Screws Per Pack 1/4" (6.35mm)

Hex Wrench

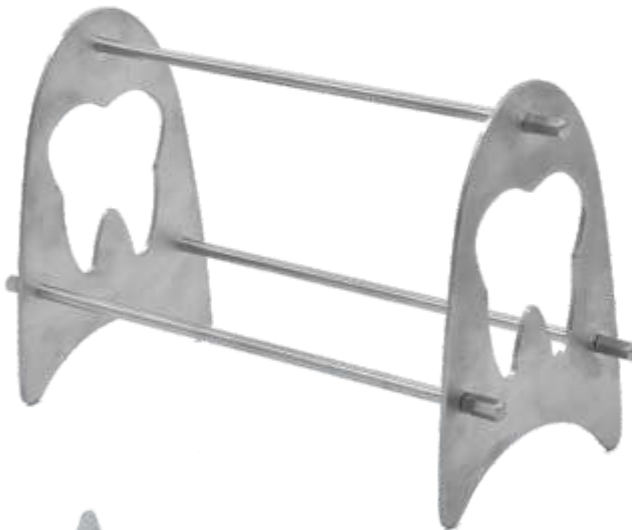


1760-15
2 Pieces Per Pack



Foldable

1761-10
Pliers Stand Stainless Steel
Length: 17.5cm
Height: 11cm
Width: 11cm
Upper Bar's Height: 10.5cm



1761-11
Pliers Stand Stainless
Length: 19.5cm
Height: 11cm
Width: 9cm
Upper Bar's Height: 9.8cm



1761-12
Pliers Stand Stainless
Length: 17cm
Height: 11cm
Width: 9cm
Upper Bar's Height: 9.8cm

1762-11
Mershon
Band Pusher
15cm



1762-12
Mershon
Band Pusher
14.5cm



1762-10
Mershon
Band Pusher
12.5cm



1762-14
Band Seater
15.5 cm



1762-15
Bite Stick
13cm



- Metal Serrated Triangle Tip
- Molded High Impact Plastic

1762-17
Bracket Placer for
Posterior Teeth
13cm





Direct Bond Bracket Tweezers



1766-9 With Slot Aligner 13.5cm



1766-9-5 Slim Tip With Slot Aligner 13.5cm



1766-10 With blade 13.5cm



1766-11 13.5cm



1766-12 14cm



1766-15 With Slot Aligner 14cm



1764-10 Buccal Tube Tweezer With Slot Aligner 14cm



1764-11 Buccal Tube Tweezer 12cm

1767-10
Ligature Director Tucker
17.5cm



1767-11
Ligature Director Tucker
17.5cm



1767-12
Ligature Director Tucker & Band Pusher
17cm



1767-13
Explorer & Ligature Director Tucker
17cm



1767-14
Elastic Ligature Applicator
17cm



1767-15
Band Pusher & Schure Scaler
17cm



1767-16
Direct Bond Adhesive Remover
17cm



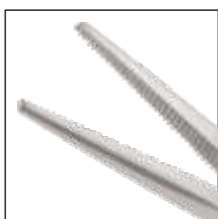
1767-17
Double-ended Distal Bender
17.5cm



1767-18
Ligature Director Tucker & Twister



1768-10
Halstead Mosquito Straight
12.5cm

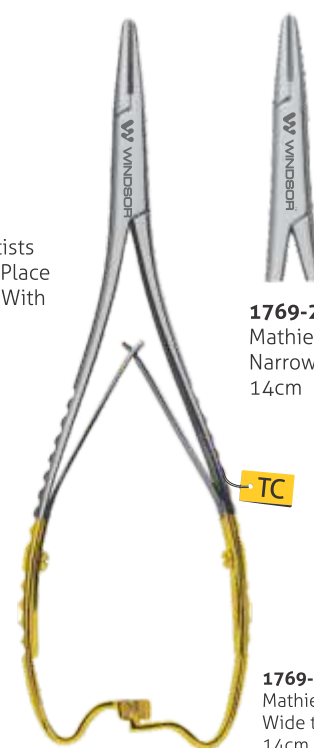


1768-11
Halstead Mosquito Curved
12.5cm



1768-12
Halstead Mosquito Hook Tip
12cm

Allowing Orthodontists To Hold, Maneuver, Place Elastics & Modules With Less Effort.



1769-18T
Mathieu Wide tip
14cm

1769-20T
Mathieu Narrow tip
14cm



1769-21
Smaha Straight
14cm

Narrow Tip For Easy
Placement Of Elastic
Modules



1769-22
Smaha Curved
14cm



1769-27
Mathieu
Half tip
14cm

1769-25
Mathieu Hole Tip
14cm



1769-29
Mathieu
Fine Tapered
Tip
14cm



1769-35
Mathieu
Hook Tip
14cm



1769-37
Mathieu
Wide Tip
14cm



1769-39
Mathieu
Narrow Tip
14cm



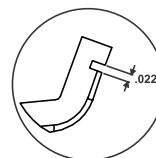
1769-37T
Mathieu
Wide Tip
14cm

1769-39T
Mathieu
Narrow Tip
14cm

1771-10
Handy Tool
88mm



new



This Instrument Serves Two Functions; It Pushes The Arch Wire In The Bracket Slots Of The Self-ligating Bracket To Facilitate Closing The Door, Secondly It Is Also Used To Put Torque In Arch Wire.

1772-10
Wire Director & Opener
14.5cm



new

Developed For The Opening & Closing Of The Locking Mechanism (cap) On The Self- Ligating Bracket While Facilitating The Seating Of The Archwires Into The Bracket. The Dual Purpose Design Ensures Ease Of Use While Saving Time By Minimizing The Change & Number Of Instruments.

1773-10 Slot 018
1773-11 Slot 022
Bracket Height Guage
Aluminium
15cm



1773-14 Slot 018
1773-16 Slot 022
Bracket Height Guage
Stainless Steel
15cm



1773-45
45°



Measure Height Of Bracket, Placement From Incisal Edge.

1773-90
90°



Bracket Height Guage
With Movable Head
Stainless Steel
15cm



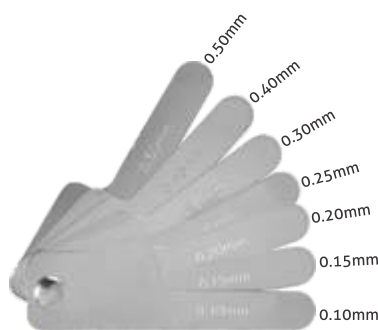
1774-10



1774-12



1774-14



1776-10
IPR Gauge



1774-16
Boone Positioning
Guage
65x65mm

Accurately Measures Height of Bracket Placement From Incisal Edge. 3.5, 4.0, 4.5 & 5mm

1775-10
Shorty Twist Holder
15cm



Precisely Made Holder Makes Tying Ligatures Fast & Easy.
Simple Insertion & Locking Of Shorty Ligature Twists & Shorty Koby Twists.